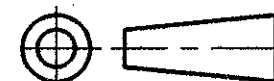


DO NOT SCALE

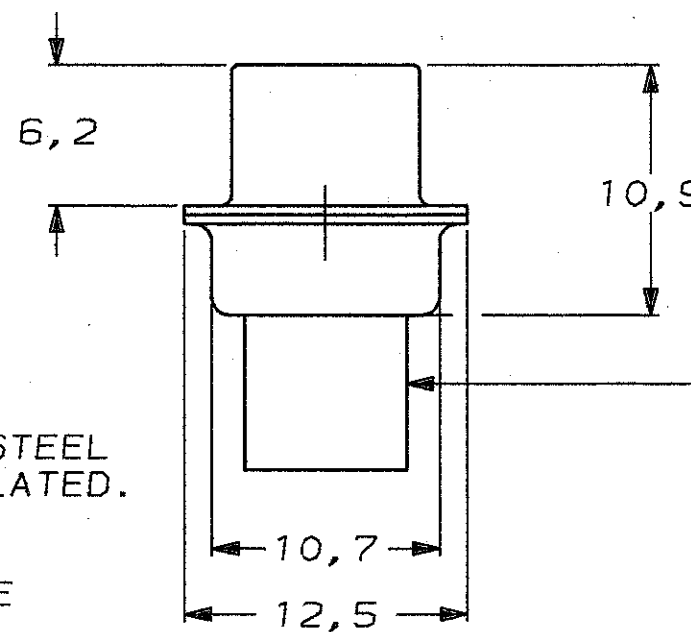
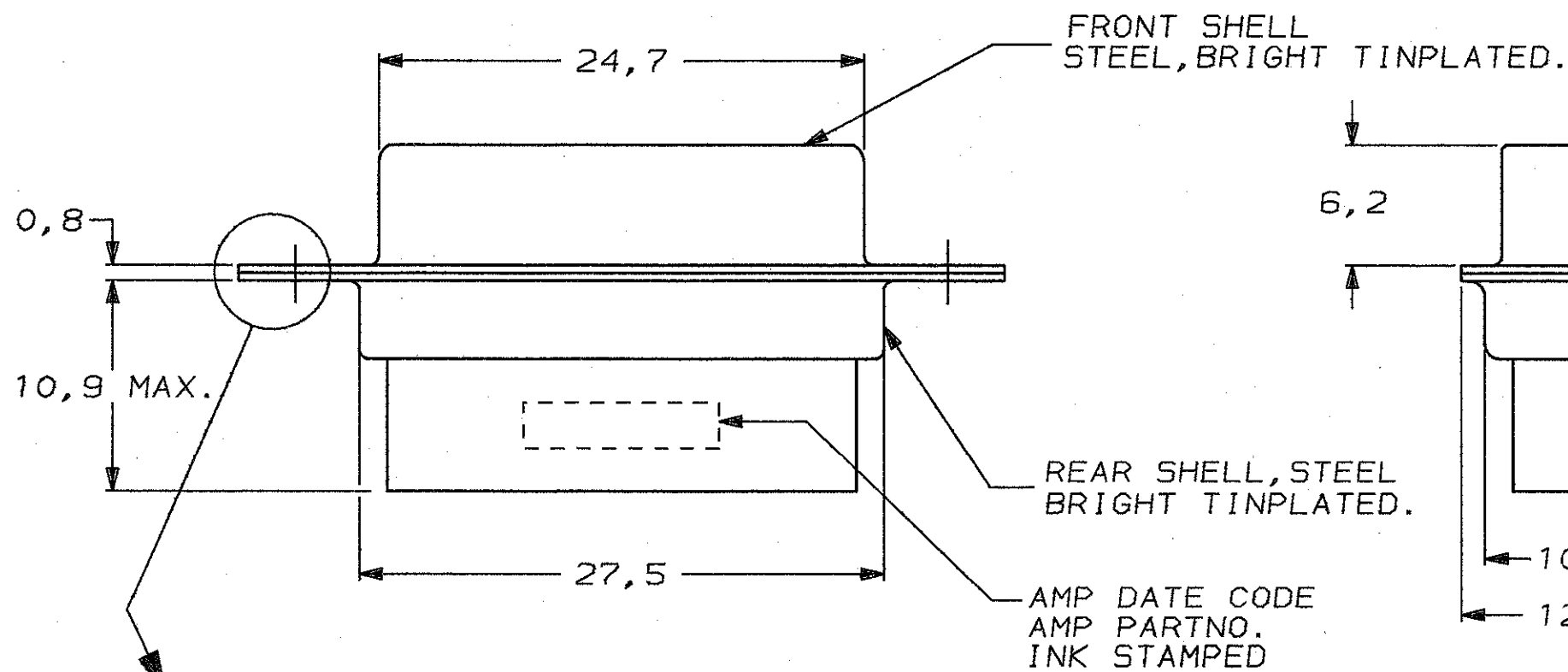
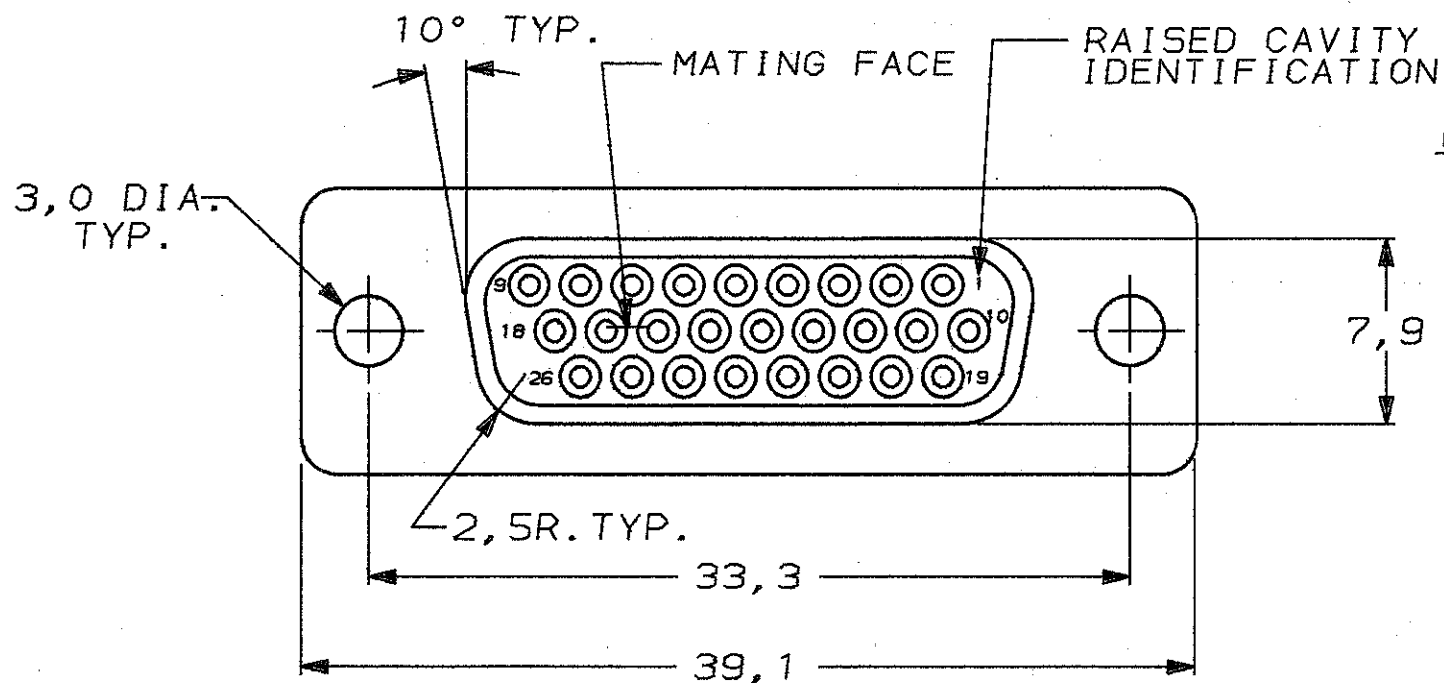
DIMENSIONS IN mm

METRIC

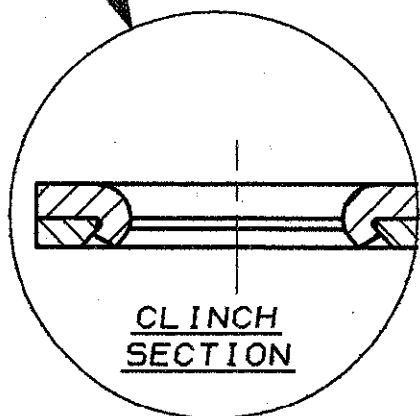
THIRD ANGLE
PROJECTION



- NOTES: 1 THIS RECEPTACLE ACCEPTS SIZE 22 REC. CONTACTS.
 2 RETENTION TINES ARE AN INTEGRAL PART OF INSERT.
 3 CONTACT INSERTION/REMOVAL TOOL AMP P.N. 91285-1 IS RECOMMENDED FOR USE WITH THESE CONNECTORS:



INSERTS: NYLON
 GLASS-FILLED
 SELF-EXTINGUISHING
 COLOR: BLACK



CUSTOMER DRAWING	SEE DRAWING	SEE DRAWING	216165-1
	FINISH	MATERIAL	PARTNUMBER
	AMP HOLLAND B.V. 's-Hertogenbosch, The Netherlands.		
	THIS DRAWING IS UNPUBLISHED RELEASED FOR PRODUCTION		
FOR REFERENCE ONLY WILL NOT BE UPDATED	© COPYRIGHT 19- BY AMP-HOLLAND B.V. ALL INTERNATIONAL RIGHTS RESERVED. AMP PRODUCTS MAY BE COVERED BY U.S. AND FOREIGN PATENTS AND/OR PATENTS PENDING.		
DR. J.V.D.HEIJDEN.	DATE 07-12-88	WIRE RANGE -	NAME HDP-22 REC. CONNECTOR, SIZE 2, (26 POSITION)
CHK. <i>E. Hilburn</i>	DATE 2-1-89	INSUL. RANGE -	REV. DATE 07 12 88
APP. -	DATE 4.1.89	SIZE A3	SHEET 1 OF 1
		DWG. No.	C-216165
			REV. LTR. 0